



Quality products. Built to last.

pro series juicer



Also available in orange



- ✓ Compact size – 11¾" tall, 7½" diameter
- ✓ Able to extract up to 10 gallons per hour
- ✓ Quiet, high-torque motor
- ✓ Proven performance
- ✓ Two-year warranty
- ✓ Crafted in the USA 

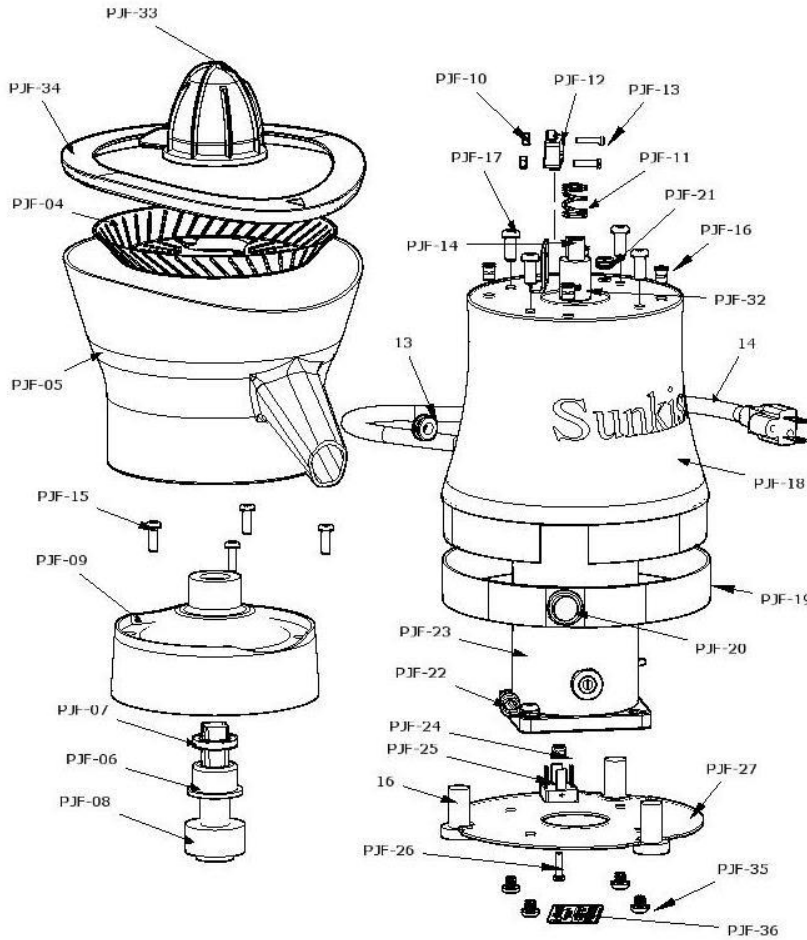


SUNKIST
Tel:800.383.7141 Fax:909.822.2125
10509 Business Dr., Unit B
Fontana, CA 92337
www.sunkistfs.com/equipment

Sunkist

Pro Series Citrus Juicer Information

Effective: October 1, 2016



<u>Part #</u>	<u>Description</u>	<u>Part #</u>	<u>Description</u>	<u>Part #</u>	<u>Description</u>
PJF-04	Strainer	PJF-14	Male Coupling	PJF-23C	Motor, 230/60V
PJF-05/PJF-05OR ¹	Dome Spout Assembly	PJF-15	10-32 x .625 Screw	PJF-24	6-32 Nylock Nut
PJF-06	Bearing, Delrin	16	Rubber Feet (3)	PJF-25	Power Rectifier
PJF-07	Rotary Seal	PJF-16	10-32 Rivet Nut	PJF-26	6-32 x .625 Screw
PJF-08	Female Coupling	PJF-17	1/4-20 x .625 Screw	PJF-27	Base Plate
PJF-09/PJF-09OR ¹	Dome Covering	PJF-18	Motor Housing	PJF-32	Roll Pin 1/8"
PJF-10	4-40 Nylock Nut	PJF-19/PJF-19OR ¹	Trim Ring	PJF-33	Extracting Bulb
PJF-11	Spring	PJF-20	On/Off Switch	PJF-34/PJF-34OR ¹	Flexible Trim Ring
PJF-12	Micro Switch	PJF-21	Upper Grommet	PJF-35	1/4-20 x 1/4 Screw
13	Electrical Cord Bushing	PJF-22	Wire Clip	PJF-36	Data Plate
PJF-13	4-40 x .625 Screw	PJF-23A	Motor, 115/60V		
14	Electrical Cord	PJF-23B	Motor, 230/50V		

¹OR=Orange